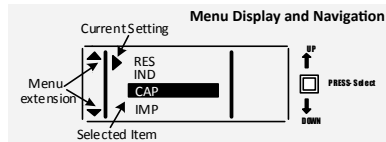
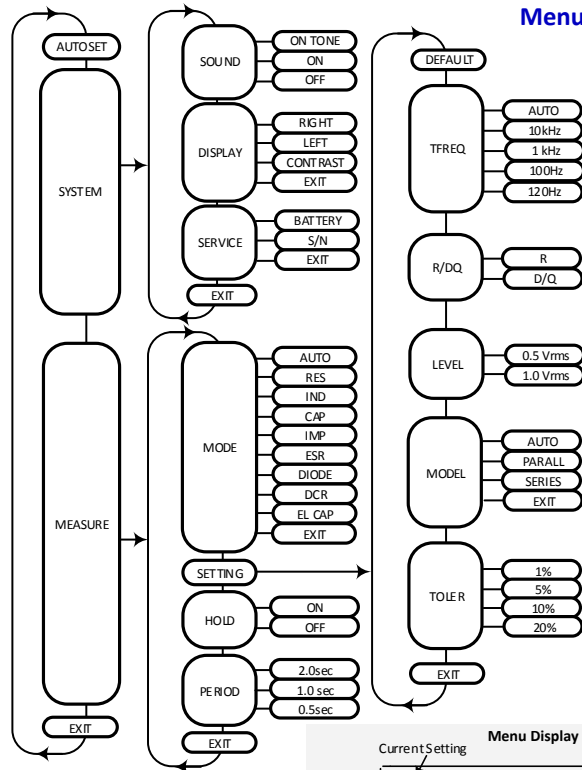


SMART TWEEZERS™ Colibri™ MODEL: ST55

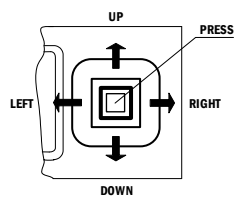
Menu Structure



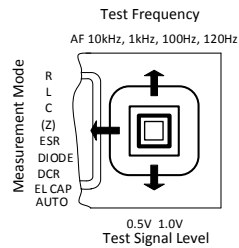
SMART TWEEZERS™ Colibri™ MODEL: ST55

Quick Start Guide

Navigation Control



Quick Controls



Turn On Smart Tweezers™

PRESS to turn on Smart Tweezers™

Enter Smart Tweezers™ Menu

PRESS to enter menu

Switch to a Manual Measurement mode

Rs= 53.01m Ω AM AF 10 kHz L 9.47uH HOLD %H	AUTOSET SYSTEM MEASURE EXIT	MODE SETTING HOLD PERIOD EXIT	AUTO RES IND CAP TWP ESR DIODE EXIT
PRESS to enter the menu	Highlight MEASURE, PRESS	Highlight MODE, PRESS	Highlight a mode, PRESS

Reset Measurement Parameters to Default

Rs= 53.01m Ω AM AF 10 kHz L 9.47uH HOLD %H	AUTOSET SYSTEM MEASURE EXIT	MODE SETTING HOLD PERIOD EXIT	PRESENT T FREQ R/O/L RANGE LEVEL MODEL TOLER NULL EXIT
PRESS to enter the menu	Highlight MEASURE, PRESS	Highlight SETTING, PRESS	Highlight DEFAULT, PRESS

Reset to the Automatic Measurement Mode

Rs= 53.01m Ω AM AF 10 kHz L 9.47uH HOLD %H	AUTOSET SYSTEM MEASURE EXIT
PRESS to enter the menu	Highlight AUTOSET, PRESS

⚠ DISCHARGE CAPACITOR BEFORE MEASUREMENTS